

Product description

- _ Dimmable built-in constant voltage LED Driver
- _ Can be either used built-in or independent with clip-on strain-relief (see accessory)
- _ Output current adjustable between 150 – 400 mA via ready2mains Programmer, I-select 2 plugs or DALI
- _ Max. output power 10 W
- _ Up to 82 % efficiency
- _ Power input on stand-by < 0.2 W
- _ Dimming range 1 to 100 %
- _ For luminaires of protection class I and protection class II
- _ Nominal life-time up to 100,000 h
- _ 5-year guarantee

Housing properties

- _ Casing: polycarbonate, white
- _ Type of protection IP20

Interfaces

- _ one4all (DALI DT 6, DSI, switchDIM, corridorFUNCTION)
- _ ready2mains (configuration and dimming via mains)
- _ Terminal blocks: 45° push terminals

Functions

- _ Adjustable output current (DALI, ready2mains, I-select 2)
- _ Constant light output function (CLO)
- _ Power-up fading at AC
- _ Configurable via ready2mains
- _ Service monitor to log certain events
- _ Protective features (overtemperature, short-circuit, overload, no-load, input voltage range, reduced surge amplification)
- _ Suitable for emergency escape lighting systems acc. to EN 50172

Benefits

- _ Application-oriented operating window for maximum compatibility
- _ Best energy savings due to low stand-by losses and high efficiency
- _ Flexible configuration via DALI, ready2mains and I-select 2

Typical applications

- _ For linear/area lighting in office applications



With strain-relief



Spotlights



Downlights



Linear



Area



Floor | Wall



Free-standing



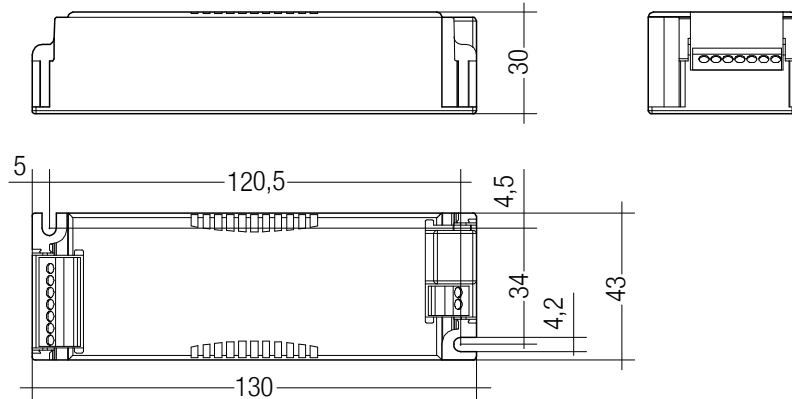
Street



Decorative



High bay



Technical data

Rated supply voltage	220 – 240 V
AC voltage range	198 – 264 V
DC voltage range	176 – 280 V
Mains frequency	0 / 50 / 60 Hz
Overvoltage protection	320 V AC, 48 h
Typ. current (at 230 V, 50 Hz, full load) ^{①②}	35 – 60 mA
Typ. current (220 V, 0 Hz, full load, 15 % dimming level) ^②	10 – 20 mA
Leakage current (at 230 V, 50 Hz, full load) ^{①②}	< 700 A
Max. input power	13 W
Typ. efficiency (at 230 V, 50 Hz, full load) ^②	82 %
λ (at 230 V, 50 Hz, full load)	0.96
Typ. power input on stand-by ^③	< 0.2 W
Typ. input current in no-load operation	12.5 mA
Typ. input power in no-load operation	0.36 W
In-rush current (peak / duration)	16 A / 255 s
THD (at 230 V, 50 Hz, full load) ^①	< 8 %
Time to light (at 230 V, 50 Hz, full load) ^①	< 0.7 s
Time to light (DC mode)	< 0.4 s
Switchover time (AC/DC)	< 0.4 s
Turn off time (at 230 V, 50 Hz, full load)	< 20 ms
Output current tolerance ^{①④}	\pm 3 %
Max. output current peak (non-repetitive)	\leq output current + 40 %
Output LF current ripple (< 120 Hz)	\pm 5 %
Max. output voltage (no-load voltage)	60 V
Dimming range	1 – 100 %
Mains surge capability (between L - N)	1 kV
Mains surge capability (between L/N - PE)	2 kV
Surge voltage at output side (against PE)	< 500 V
Dimensions L x W x H	130 x 43 x 30 mm

Approval marks

